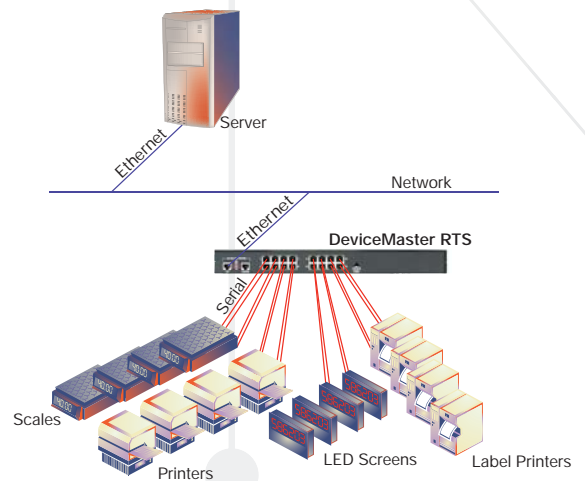


HIGHLIGHTS

- RoHS Directive 2002/95/EC compliant
- No serial cable distance limitations enables communication between a host PC and serial devices located anywhere across an Ethernet network
- RS-232, RS-422, or RS-485 software selectable
- Application compatibility supports native COM, TTY, or TCP/IP socket communication modes
- 120/240 VAC power supply with US and Euro power cords
- Web-based configuration makes setup and management changes quick and easy
- Real-time e-mail event notification alerts administrator of potential connection and security issues
- 1U rack mountable
- Wide operating temperature of -37° to 74°C
- PortVision® Plus remote monitoring and management software
- Software developer kit available for users interested in writing custom applications to run on the DeviceMaster platform
- SSL & SSH management, SSL serial data stream encryption



Part Number
99455-8



Ethernet-Enabled Serial Devices using
NS-Link COM/TTY Driver

DeviceMaster® RTS 16-Port RJ45 Rackmount

The Control DeviceMaster RTS 16-Port Rackmount is a 16-port device server designed for network-enabling serial communications devices. When used with the included NS-Link™ driver software and a host PC, the DeviceMaster RTS enables placement of COM or TTY ports anywhere on an Ethernet network or across the Internet. In applications where connecting legacy serial devices to a PC without software

changes is a requirement, a pair of DeviceMaster RTS units can be used to create a point-to-point serial tunnel across the network that seamlessly transfers serial data via TCP or UDP socket connections.



SPECIFICATIONS

HARDWARE

- Processor ARM7 44Mhz
- 8MB RAM
- 4MB Flash (Programmable)
- (1) 10/100 Base-T Ethernet
- Black Finished Steel Enclosure
- Product Weight 6.22 Lbs
- Packaged Shipping Weight 8.76 Lbs
- LED Indicators
 - Status
 - Ethernet Link/Activity
 - Collision
 - 100MB Ethernet
 - RX/TX Per Port
- Surge Protection 15KV

ELECTRICAL SPECIFICATIONS

- Device Consumption 14.3 Watts
- Internal Power Supply (Included)
- Input 90 to 260 VAC @ 60Hz

ENVIRONMENTAL SPECIFICATIONS

- Operating Temperature* -37 to 74°C
- Storage Temperature -40 to 85°C
- Operating Humidity 5% to 95%
- Altitude 0 to 10,000 Ft
- Heat Output 48.8 BTU/Hr
- MTBF 8.1 Years

SERIAL COMMUNICATIONS

- Software-Selectable RS-232/422/485
- Baud Rates 50 to 230 Kbps
- Serial Connectors (16) RJ45
- Data Bits 7 or 8
- Parity Odd, Even, None
- Stop Bits 1 or 2

DEVICE DRIVERS

Microsoft Windows NT®, Microsoft Windows 2000®, Microsoft Windows Server 2003®, Microsoft Windows XP®, Linux

REGULATORY APPROVAL MARKS

CE Mark, FCC Part 15 Subpart B Class A, C-Tick, CUL, RoHS 2002/95/EC

REGULATORY STANDARDS

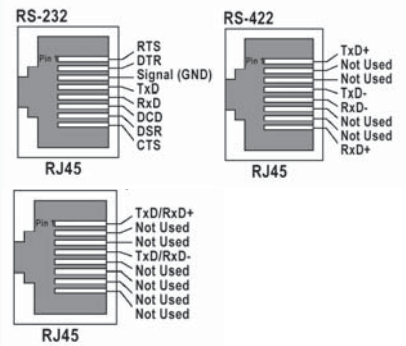
- Immunity: EN55024; EN61000-4-2, EN61000-4-3, EN61000-4-4, EN61000-4-5, EN61000-4-6, EN61000-4-8, EN61000-4-11, IEC 1000-4-2, IEC 1000-4-3, IEC 1000-4-4, IEC 1000-4-5, IEC 1000-4-6, IEC 1000-4-8, IEC 1000-4-11
- Emission: EN55022 & A1:2000 IEC 1000-3-2, IEC 1000-3-3, CISPR-22, ICES-003,
- Safety: EN60950, IEC 60950, CSA C22.2 No. 50/UL60950

FEATURES

- Lowest Latency
- NS-Link COM/TTY Port Redirector
- PortVision Remote Management
- TCP/IP & UDP Socket Services
- Real-Time Clock
- Telnet
- HTTP
- SNMP
- DHCP / RARP / ARP / BOOTP / Ping
- Hardware & Software Flow Control
- Watchdog Reset
- Event Notification
- RFC 1006



SERIAL PIN ASSIGNMENTS



DEVICEMASTER 16-PORT DIMENSIONS



ORDERING INFORMATION

99455-8 DeviceMaster RTS 16-Port RJ45 Rackmount

PRODUCT SUPPORT & SERVICE INFORMATION

Warranty Information

Control offers a 30-day satisfaction guarantee and 5-year limited warranty.

Sales Support

+1.763.494.4100
sales@control.com

Technical Support

+1.763.494.4100
www.control.com/support

Email, FTP, and Web Support

info@control.com
ftp.control.com
www.control.com

*We have tested the products to run at these temperatures.