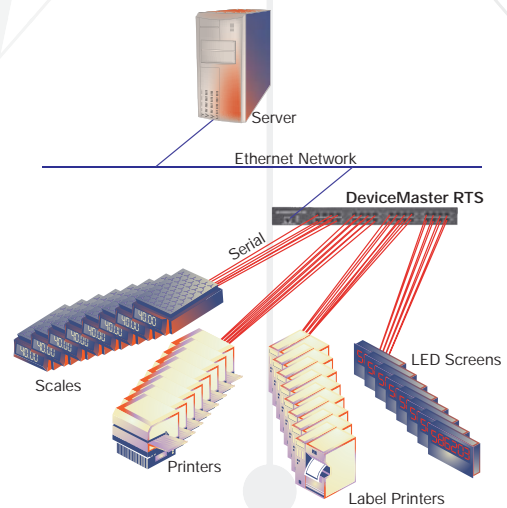


HIGHLIGHTS

- RoHS Directive 2002/95/EC compliant
- No serial cable distance limitations enables communication between a host PC and serial devices located anywhere across an Ethernet network
- RS-232, RS-422, or RS-485 software selectable
- Native COM, TTY, or TCP/IP Socket communication modes
- Provides 32 serial ports in a 1U rackmount space
- Web-based configuration makes setup and management changes quick and easy
- Real-time e-mail event notification alerts administrator of potential connection and security issues
- Rugged metal housing enables rack mounting
- Operating temperature of -37° to 74°C rated for extreme conditions
- PortVision® remote monitoring and management
- Software developer kit available for users interested in writing custom applications to run on the DeviceMaster platform
- SSL & SSH management, SSL serial data stream encryption



Part Number
99456-5



Ethernet-Enabled Serial Devices using
NS-Link COM/TTY Driver

DeviceMaster® RTS 32-Port RJ45 Rackmount

The Control DeviceMaster RTS 32-Port Rackmount RJ45 is a 32-port device server designed for network-enabling serial communications devices. When used with the included NS-Link™ driver software and a host PC, the DeviceMaster RTS enables placement of COM or TTY ports anywhere on an Ethernet network or across the Internet. In applications where connecting legacy serial devices to a PC without

software changes is a requirement, a pair of DeviceMaster RTS units can be used to create a point-to-point serial tunnel across the network that seamlessly transfers serial data via TCP or UDP socket connections.



SPECIFICATIONS

HARDWARE

• Processor	ARM7 44Mhz
• 8MB RAM	
• 4MB Flash (Programmable)	
• (1) 10/100 Base-T Ethernet	
• Black Finished Steel Enclosure	
• Product Weight	6.40 Lbs
• Packaged Shipping Weight	8.96 Lbs
• LED Indicators	
Status	
Ethernet Link/Activity	
Collision	
100MB Ethernet	
RX/TX Per Port	
• Surge Protection	15KV

ELECTRICAL SPECIFICATIONS

• Device Consumption	22.0 Watts
• Internal Power Supply	(Included)
• Input	90 to 260 VAC @ 60Hz

ENVIRONMENTAL SPECIFICATIONS

• Operating Temperature*	-37 to 74°C
• Storage Temperature	-40 to 85°C
• Operating Humidity	5% to 95%
• Altitude	0 to 10,000 Ft
• Heat Output	75.0 BTU/Hr
• MTBF	6 Years

SERIAL COMMUNICATIONS

• Software-Selectable	RS-232/422/485
• Baud Rates	50 to 230 Kbps
• Serial Connectors	(32) RJ45
• Data Bits	7 or 8
• Parity	Odd, Even, None
• Stop Bits	1 or 2

DEVICE DRIVERS

Microsoft Windows NT®, Microsoft Windows 2000®, Microsoft Windows Server 2003®, Microsoft Windows XP®, Linux

REGULATORY APPROVAL MARKS

CE Mark, FCC Part 15 Subpart B Class A, C-Tick, CUL, RoHS 2002/95/EC

REGULATORY STANDARDS

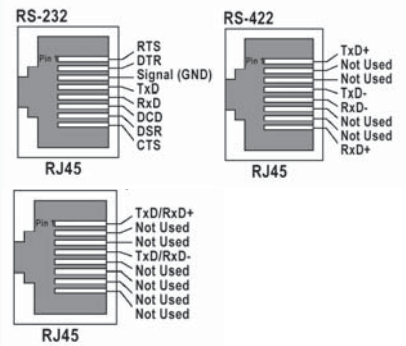
- Immunity: EN55024; EN61000-4-2, EN61000-4-3, EN61000-4-4, EN61000-4-5, EN61000-4-6, EN61000-4-8, EN61000-4-11, IEC 1000-4-2, IEC 1000-4-3, IEC 1000-4-4, IEC 1000-4-5, IEC 1000-4-6, IEC 1000-4-8, IEC 1000-4-11
- Emission: EN55022 & A1:2000 IEC 1000-3-2, IEC 1000-3-3, CISPR-22, ICES-003,
- Safety: EN60950, IEC 60950, CSA C22.2 No. 50/UL60950

FEATURES

- Lowest Latency
- NS-Link COM/TTY Port Redirector
- PortVision Remote Management
- TCP/IP & UDP Socket Services
- Telnet
- HTTP
- SNMP
- DHCP / RARP / ARP / BOOTP / Ping
- Hardware & Software Flow Control
- Watchdog Reset
- Event Notification
- RFC 1006



SERIAL PIN ASSIGNMENTS



DEVICEMASTER 32-PORT DIMENSIONS



ORDERING INFORMATION

99456-5 DeviceMaster RTS 32-Port RJ45 Rackmount

PRODUCT SUPPORT & SERVICE INFORMATION

Warranty Information

Control offers a 30-day satisfaction guarantee and 5-year limited warranty.

Sales Support

+1.763.494.4100
sales@control.com

Technical Support

+1.763.494.4100
www.control.com/support

Email, FTP, and Web Support

info@control.com
ftp.control.com
www.control.com

*We have tested the products to run at these temperatures.